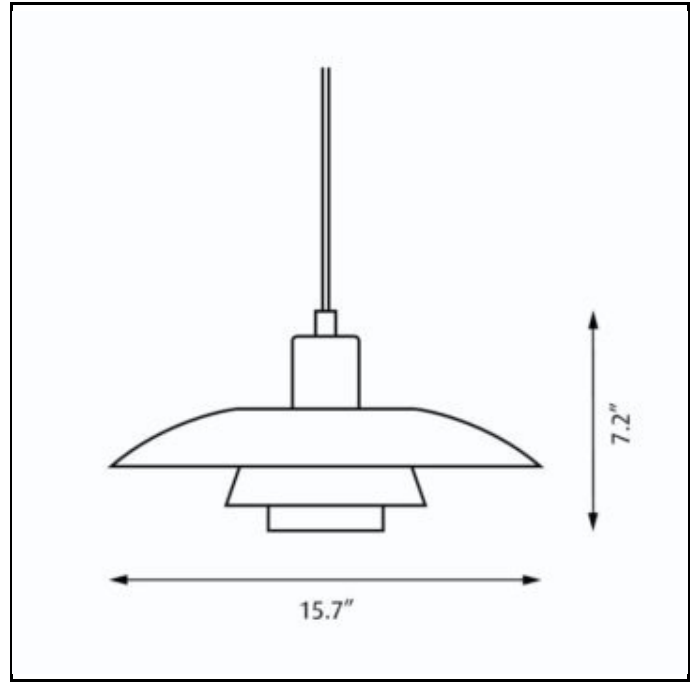


PH 4/3 Pendant



Design Poul Henningsen

Concept The fixture is designed based on the principle of a reflective three-shade system, which directs the majority of the light downwards. The shades are made of metal and painted white to ensure uniform, comfortable light distribution.

Finish White, wet painted.

Material Shades: Spun aluminum.

Mounting Canopy: White. Cord type: 3-conductor, 18 AWG white PVC power cord. Cord length: 12'.

Weight Max. 2 lbs.

Label cULus, Dry location. IBEW.

Product Code	Light source	Voltage	Finish
PH4/3-P	1/100W/A-19/IF medium 1/15W LED/A-19/medium	120V	WHITE CLASSIC MATTE