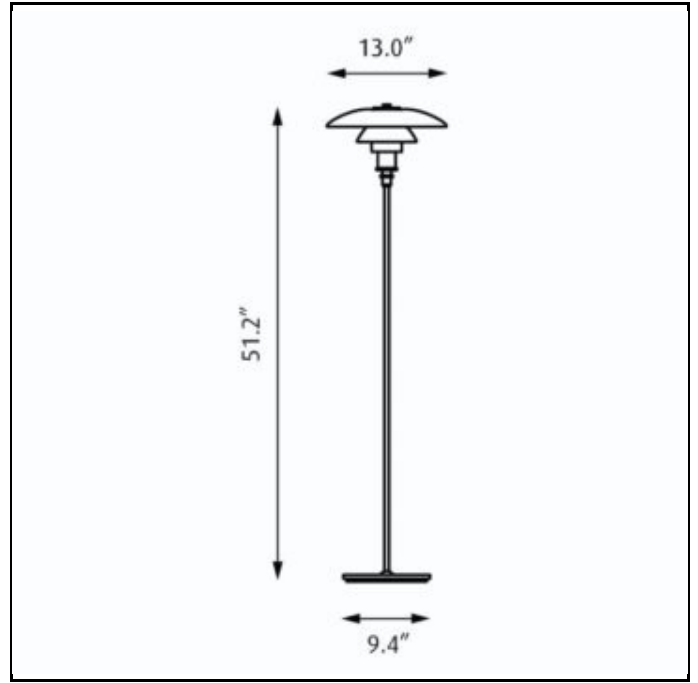


PH 3½-2½ Floor



Design Poul Henningsen

Concept The fixture is designed based on the principle of a reflective three-shade system, which directs the majority of the light downwards. The shades are made of hand-blown opal three-layer glass, which is glossy on top and sandblasted matte on the underside, giving a soft and diffuse light distribution.

Finish High lustre chrome plated, white opal glass.

Material Base: High lustre chrome plated, spun brass. Shades: Handblown white opal glass (sandblasted on the underside for uniform light distribution). Top plate: High lustre chrome plated, spun brass. Stem: High lustre chrome plated, steel.

Mounting Cord type: Black. Cord length: 12'. Switch: In-line on/off foot switch provided.

Weight Max. 16.5 lbs.

Label cULus, Dry location. IBEW.

Product Code	Light source	Voltage	Finish
PH3½-2½-F	1/100W/A-19/IF medium 1/15W LED/A-19/medium	120V	CHR