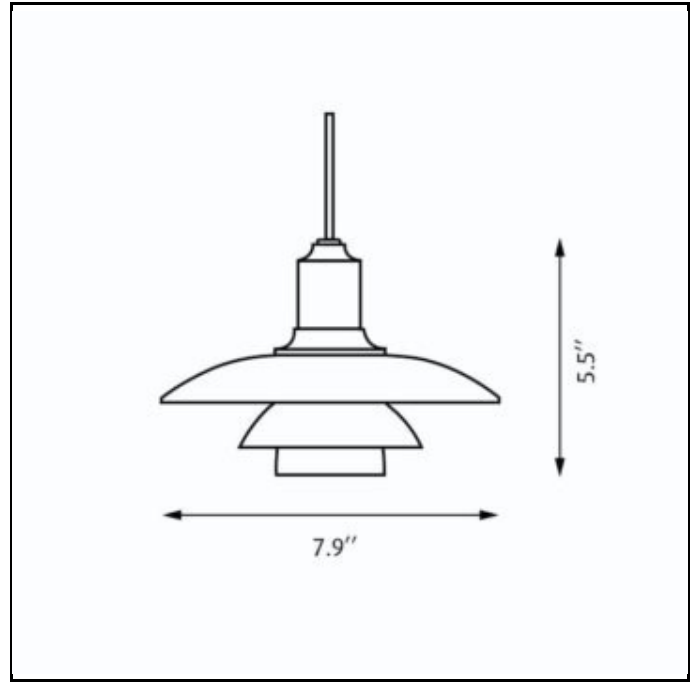


PH 2/1 Pendant



Design Poul Henningsen

Concept The fixture design is based on the principle of a reflective three-shade system, which directs the majority of the light downwards. The shades are made of hand-blown, opal, three-layer glass, which is glossy on top and sandblasted matte on the underside, giving a soft and uniform light distribution.

Finish High lustre chrome plated. White opal glass.

Material Shades: Handblown white opal glass (sandblasted on the undersides for uniform light distribution). Suspension: High lustre chrome plated, spun aluminum.

Mounting Canopy: White. Cord type: 3-conductor, 18 AWG black PVC power cord. Cord length: 12'.

Weight Max. 3 lbs.

Label cULus, Dry location. IBEW.

Product Code	Light source	Voltage	Finish
PH2/1-P	1/40W/G16.5/IF candelabra	120V	CHR