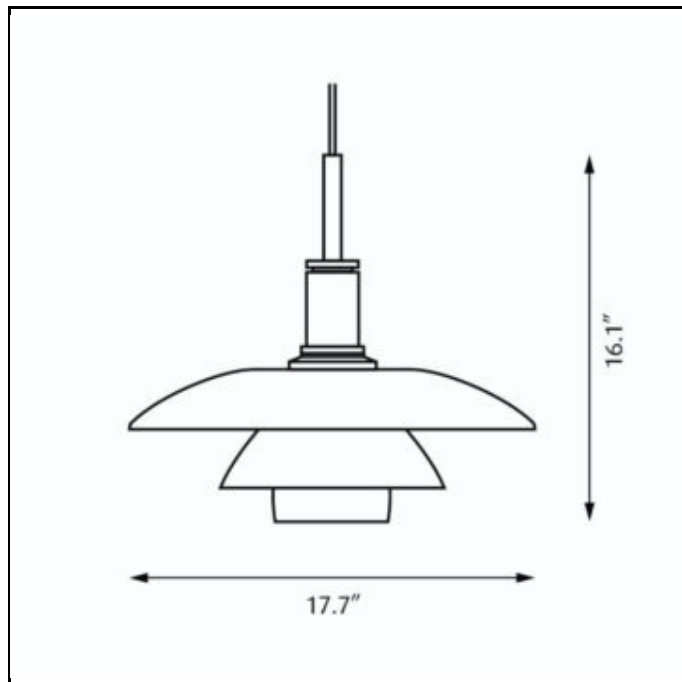


PH 4½-4 Glass Pendant



Design Poul Henningsen

Concept The fixture is designed based on the principle of a reflective three-shade system, which directs the majority of the light downwards. The shades are made of hand-blown opal three-layer glass, which is glossy on top and sandblasted matte on the underside, giving a soft and uniform light distribution.

Finish High lustre chrome plated. White opal glass.

Material Shades: Handblown white opal glass (sandblasted on the undersides for uniform light distribution). Suspension: High lustre chrome plated, extruded aluminum.

Mounting Canopy: White. Cord type: 3-conductor, 18 AWG black PVC power cord. Cord length: 12'.

Weight Max. 7 lbs.

Label cULus, Dry location. IBEW.

Product Code	Light source	Voltage	Finish
PH4½-4	1/150W/A-21/IF medium 1/22W LED/A-21/medium	120V	CHR