



Weblink
190

Private Residence Japan. Tokyo, Japan. Architect: Art Web House, Inc. Tokyo, Japan. Photo: Hidehiko Nagaiishi

Design
Shoichi Uchiyama

Concept
Enigma 425 is able to provide the space with a soft and distinct illumination. The design of the four shades ensures that the shades are evenly lit and the light is equally evenly diffused. The bottom shade is designed as a disc that completes this glare free fixture.

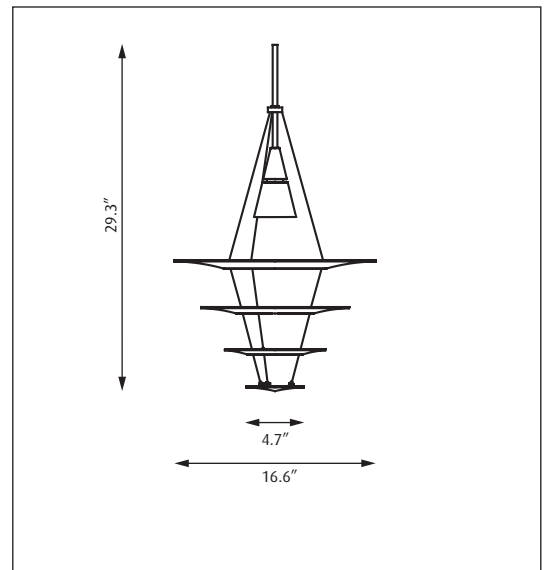
Finish
Aluminum, brushed and lacquered. Matte coated acrylic.

Material
Cone: Cast aluminum. Shades: Matte coated acrylic. Pendant stem: Extruded aluminum.

Mounting
Suspension length: 12'. Canopy: White. Cord type: 3-conductor, 18 AWG white PVC power cord. Cord length: 12'.

Weight
Max. 3 lbs.

Label
cUL, Dry location. IBEW.



Product code	Light source	Voltage	Finish
ENIG425	1/50W/PAR16 GU10	120V	BR ALU

Info notes:
I. The comparable EU version has the following classification: Ingress Protection Code: IP20.

