



Albert-Ludwig University, Freiburg, Germany. Architect: Klaus Max Rippl, Harter+Kanzler & Broghammer+Jana+Wohleber. Photo: Bent Ryberg/Planet

Weblink
139

Design
Arne Jacobsen

Concept
AJ Table creates direct and angled illumination. The lighting characteristics make it suitable when placed in a situation where distinct and directed illumination is required.

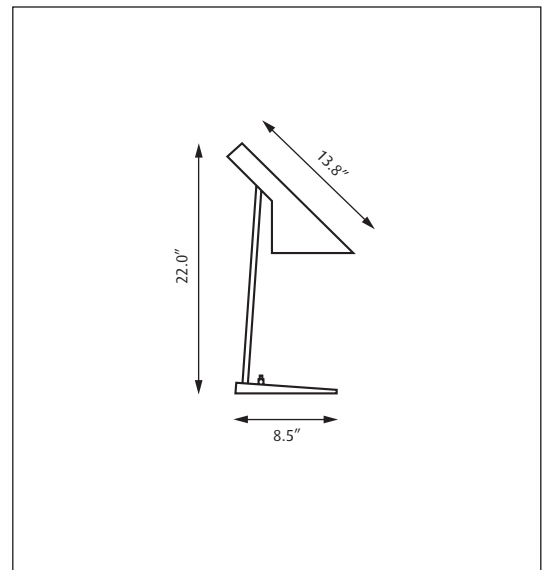
Finish
White, graphite grey or black, wet painted.

Material
Base: Die cast zinc. Shade: Spun steel. Stem: Steel.

Mounting
Cord type: Black. Cord length: 8'. Switch: On/off switch located in the base.

Weight
Max. 6 lbs.

Label
cUL, Dry location. IBEW.



Product code	Light source	Voltage	Finish
AJ-T	1/60W/A-19/IF medium	120V	BLK GRP GREY WHT

Info notes:
I. The comparable EU version has the following classification: Ingress Protection Code: IP20.





Jacobsen Restaurant, Bellevue, Denmark. Photo: Planet

Weblink

127

Design

Arne Jacobsen

Concept

AJ Floor creates direct and angled illumination. The lighting characteristics make it suitable when placed in a situation where distinct and directed illumination is required.

Finish

White, graphite grey or black, wet painted.

Material

Base: Die cast zinc. Shade: Spun steel. Stem: Steel.

Mounting

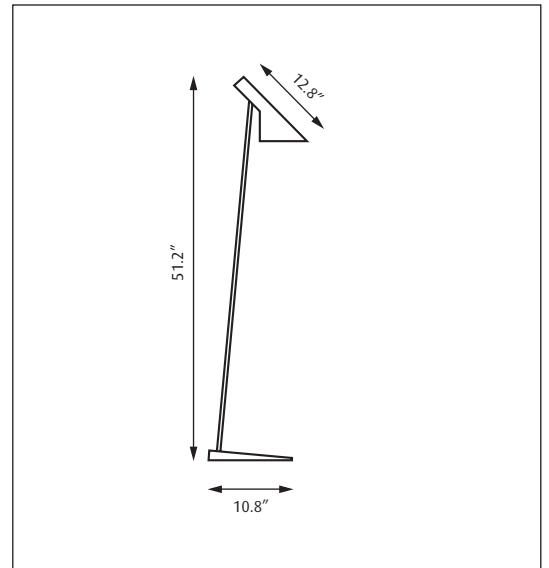
Cord type: Black. Cord length: 9'. Switch: In-line on/off foot switch provided.

Weight

Max. 8 lbs.

Label

cUL, Dry location. IBEW.



Product code	Light source	Voltage	Finish
AJ-F	1/60W/A-19/IF medium	120V	BLK GRP GREY WHT

Info notes:

I. The comparable EU version has the following classification: Ingress Protection Code: IP20.

