

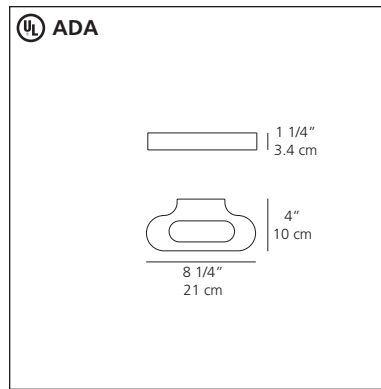
Talo 21 mini wall

Neil Poulton

Wall mounted luminaire for direct and indirect halogen or fluorescent lighting.

- body in die-cast aluminum in white or silver grey powder coated finish, polished chrome or satin chrome finish
- fluorescent model upper and lower diffusers in opaline molded polycarbonate and halogen model upper and lower diffusers with borosilicate shatterguard glass
- wall supporting plate in steel
- mounting to standard electrical junction boxes
- standardly equipped with thermally protected, class P, high power factor 120V electronic fluorescent ballasts (277V optional)

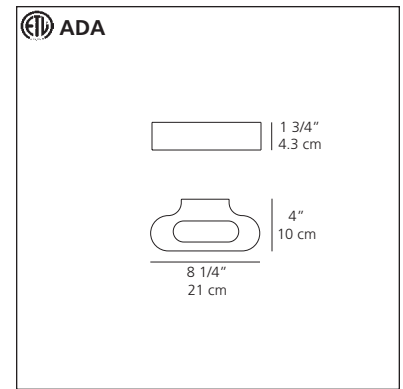
for additional information on this model and matching Talo series, please refer to the Artemide Architectural Binder



Talo 21 mini wall HAL

halogen source

- 1 x 150W (R7S/T3) supplied.....



Talo 21 mini wall FLU

fluorescent source

- 1 x 18W (G24q-2/T4).....

eco♥design

Artemide
ARCHITECTURAL INDOOR



white



silver grey



polished chrome



satin chrome

