

Talak FLU wall

Talak LED wall

Neil Poulton 2009

Wall mounted luminaires for direct and adjustable task fluorescent or LED lighting.

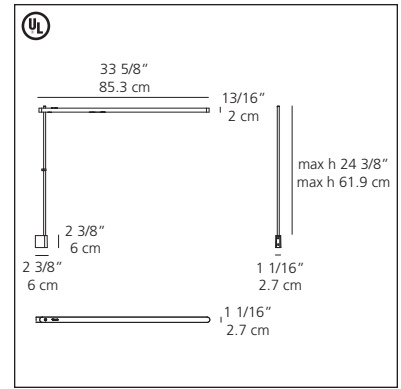
- body in injection molded thermoplastic in matte white powder coated finish, incorporating miniature T2 fluorescent or energy saving LED lighting
- body rotates 360° and can be adjusted in height by sliding it along its stem
- stem in polished chromed steel
- wall bracket in die-cast aluminum suitable for mounting to solid wall surface

FLU version

- electronic ballast incorporated in body
- on/off switch on body

LED version

- dimmer switch on body
- LED driver located on cord



Talak FLU/LED wall

fluorescent source

- 1 x 13W (axial/T2) supplied.....

or

LED source

- 80 LEDs/8W supplied

eco♥design

