

Mouette suspension asymmetrical and symmetrical

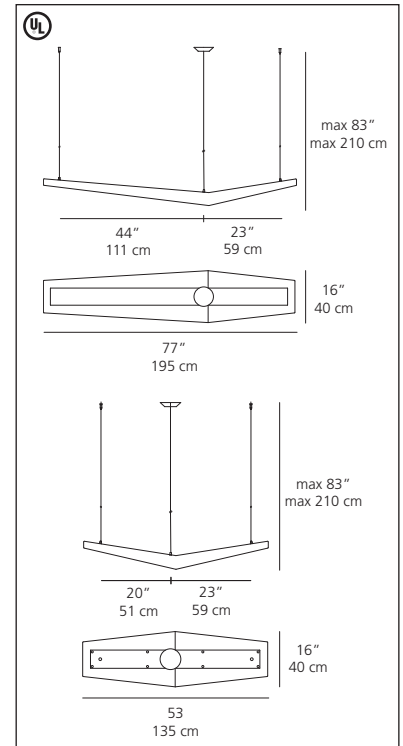
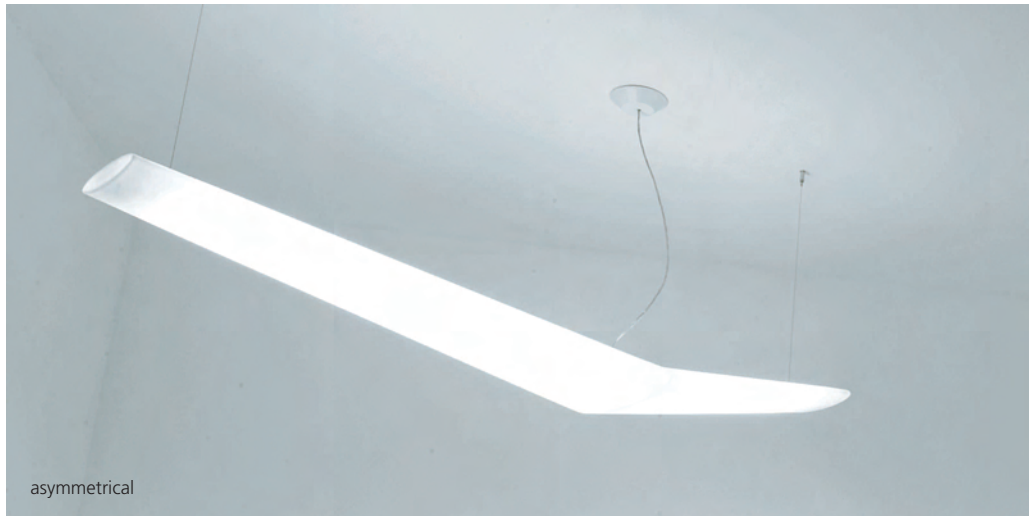
Wilmotte & Associates

Cable suspended luminaires for indirect and direct diffused fluorescent lighting.

- opal white, wing shaped diffuser constructed of a single piece of polypropylene produced using roto-form molding technology
- light distribution: 74% direct and 26% indirect
- diffuser support in white powder coated steel provides access to lamping
- suspension cables and support ends in stainless steel with grip-lock connectors for quick height adjustment at installation
- central electrical feed with thermoplastic molded canopy mounting to standard electrical junction boxes
- support cables mount directly to rigid ceiling surface (hardware not supplied)
- equipped with thermally protected, class P, high power factor 120V electronic fluorescent ballast
- for 277/347V electronic fluorescent ballast, dimmable electronic ballast, and emergency lighting options, please consult your Artemide Sales Representative

for additional information on this model, please refer to the Artemide Architectural Binder

eco design



Mouette suspension asymmetrical

fluorescent source

- 2 x 24W (G5/T5 HO).....
- + 2 x 54W (G5/T5 HO).....

Mouette suspension symmetrical

fluorescent source

- 4 x 24W (G5/T5 HO).....