



Bright Nickel



>> Dark Bronze with Dark Blades

Energy Information

(56" at high speed)

AIRFLOW

7151

Cubic Feet Per Minute

ELECTRICITY USE

32

Watts (excludes lights)

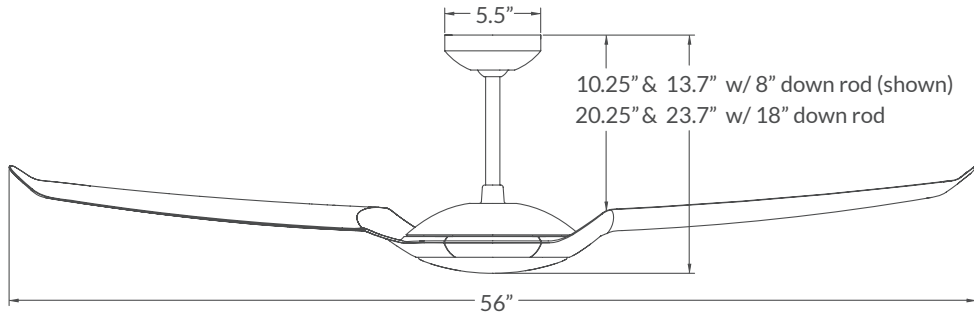
AIRFLOW EFFICIENCY

225

Cubic Feet Per Minute Per Watt



tel 541-482-8545
www.modernfan.com



Gloss White



Dark Bronze with 570 Light

IC/Air2

Includes 8" and 18" down rods, yielding 13.7" or 23.7" overall lengths.
Optional down rods available.

	Finish	Blade Span	Blade Color	Light Option	Control Option
#IC2					
	▲ BN Bright Nickel ▲ DB Dark Bronze ▲ GW Gloss White	▲ 56 56" Span	▲ NK Nickel ▲ DK Dark ▲ WH White ▲ CL Clear ▲ EB Ebony ▲ GY Graywash ▲ MG Mahogany ▲ MP Maple ▲ WW Whitewash	▲ NL No Light ▲ 570 20W LED	▲ WC Fan Speed Only ▲ RC Remote Control ▲ CC Combo Wall/Remote