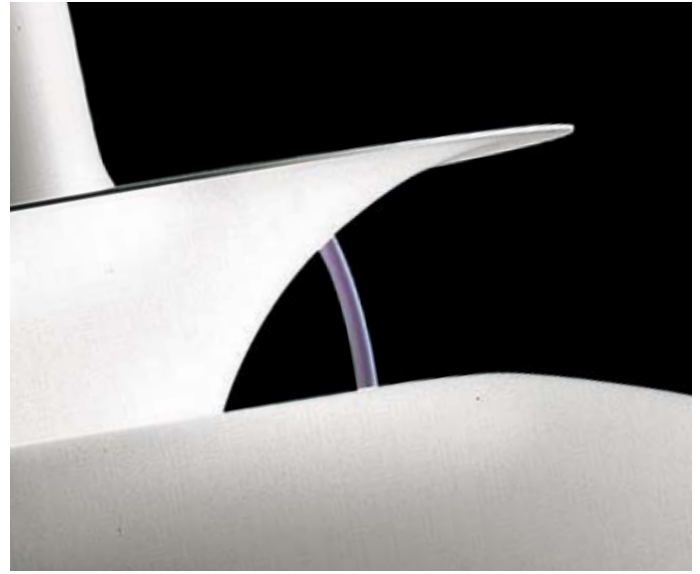


pendants



Weblink
123

Project page
378

Design
Poul Henningsen

Concept
PH 5 (1958) provides a glare free illumination. The design of the visible reflectors ensures that light is directed both vertically and horizontally. Light is diffused through a sandblasted glass shield located in the lower shade. The inside cone is painted red, and together with the small blue reflector creates a warmer tone of light.

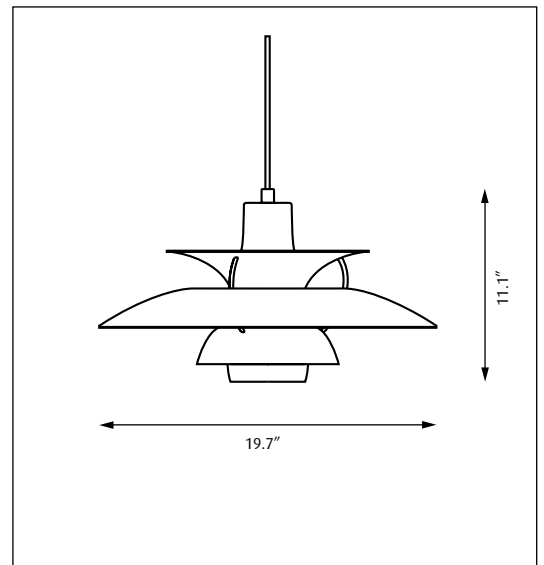
Finish
Chili Red, coconut white, mint blue, olive black or wasabi green, laquered. White, wet painted.

Material
Shades: Spun aluminum. Concealing shield: Sand-blasted, glass. Struts: Silver or purple, rolled aluminum.

Mounting
Canopy: White. Cord type: 3-conductor, 18 AWG white PVC power cord. Cord length: 12'.

Weight
Max. 5 lbs.

Label
cUL, Dry location. IBEW.



Product code	Light source	Voltage	Finish
PH5/PH50	1/200W/A-23W/IF medium 1/23W/CF medium	120V	WHT CHILI RED COCONIT WHITE MINT BLUE OLIVE BLACK WASABI GREEN

Specification notes:
a. CF variants provided with a 1/23W/CF medium base self-ballasted lamp in 120V.

Info notes:
I. White variant is only available with purple struts.
II. The comparable EU version has the following classification: Ingress Protection Code: IP20.



Olive Black Wasabi Green Chili Red Coconut White Mint Blue

check our complete collection at stardust.com



Studio photo
Photo
Kaslov Studio