



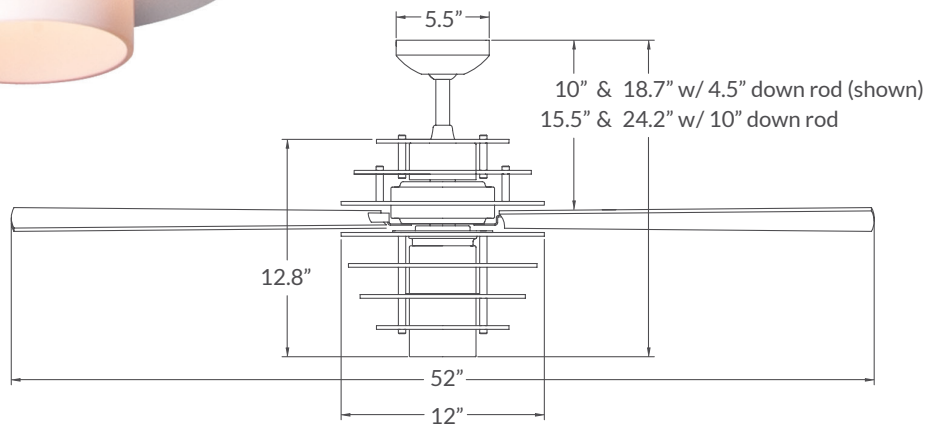
tel 541-482-8545
www.modernfan.com

White and Gloss White
^^

Energy Information

(52" at high speed)

AIRFLOW 5760 Cubic Feet Per Minute	ELECTRICITY USE 73 Watts (excludes lights)	AIRFLOW EFFICIENCY 79 Cubic Feet Per Minute Per Watt
---	---	---



Mahogany and Dark Bronze



Maple and Dark Bronze

Stella

Includes 4.5" and 10" down rods, yielding 18.7" or 24.2" overall lengths.
Optional down rods available..

#SLA	Finish	Blade Span	Blade Color	Light Option	Control Option
	WH White/Gloss White MP Maple/Dark Bronze MG Mahogany/Dark Bronze	52 52" Span	WH White BK Black MP Maple MG Mahogany	LED 17W LED	002 Fan & Light - 3 Wire 003 Handheld Remote 004 Fan & Light - 2 Wire 005 Wall/Remote Combo