



tel 541-482-8545
www.modernfan.com

Energy Information

(52" at high speed)

AIRFLOW
6247
Cubic Feet Per Minute

ELECTRICITY USE
75
Watts (excludes lights)

AIRFLOW EFFICIENCY
84
Cubic Feet Per Minute Per Watt

>> Dark Bronze with Mahogany Blades



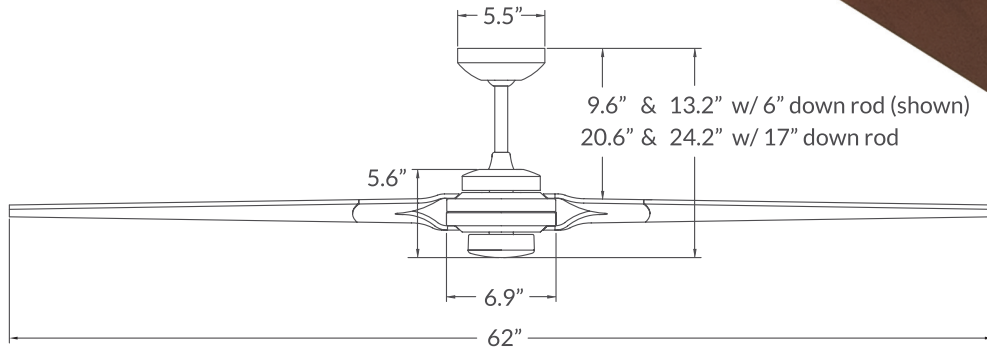
Gloss White



Dark Bronze with Black Blades



Bright Nickel with 271 Light



Torsion

Includes 6" and 17" down rods, yielding 13.2" or 24.2" overall lengths.
Optional down rods available.

#TOR	Finish	Blade Span	Blade Color	Light Option	Control Option
	GW Gloss White BN Bright Nickel DB Dark Bronze	62 62" Span 52 52" Span	WH White NK Nickel BK Black MP Maple MG Mahogany	NL No Light 271 17W LED	001 Fan Speed Only 002 Fan & Light - 3 Wire 003 Handheld Remote 004 Fan & Light - 2 Wire 005 Wall/Remote Combo

Torsion Special Notes

1. The #271 light kit add 1.5-inches to length of this fan.