



tel 541-482-8545
www.modernfan.com

Energy Information

(52" at high speed)

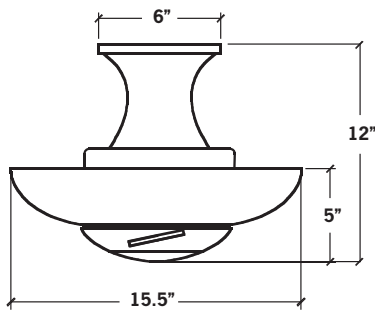
AIRFLOW
5941
Cubic Feet Per Minute

ELECTRICITY USE
71
Watts (excludes lights)

AIRFLOW EFFICIENCY
84
Cubic Feet Per Minute Per Watt



>> Gloss White



Aurora Hugger

Ships in 12" overall configuration.

	Finish	Blade Diameter	Blade Color	Control Option
#AUR-HUG				
	GW Gloss White BA Brushed Aluminum	52 52" Span 42 42" Span	WH White AL Aluminum	NC No Control 002 Fan & Light - 3 Wire 003 Handheld Remote 004 Fan & Light - 2 Wire 005 Wall/Remote Combo

Aurora Hugger Special Notes

- The Aurora Hugger uses a 40w T5 circline fluorescent lamp and is therefore not dimmable.



Brushed Aluminum