

Toldbod 6.1"/8.7" Glass Pendant

pendants



Weblink
181

Project page
256

Ministry of Culture. Copenhagen, Denmark. Interior architect: Louise Campbell. Photo: Anders Sune Berg

Design

Louis Poulsen Lighting A/S

Concept

Toldbod 6.1"/8.7" Glass Pendant creates soft, uniform illumination. The majority of the light is directed downward. The quality of the three layer glass ensures that the Toldbod Glass Pendant has an evenly lit surface.

Finish

White opal glass.

Material

Suspension: Brushed stainless steel. Shade: Handblown white opal glass.

Mounting

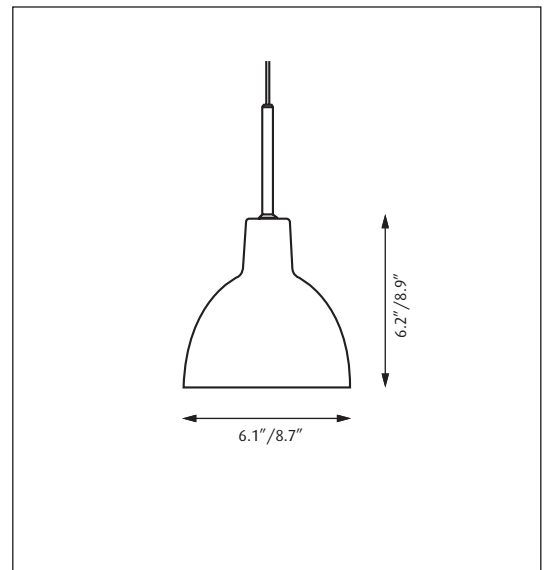
Canopy: White. Cord type: 3-conductor, 18 AWG white PVC power cord. Cord length: 12'.

Weight

Max. 4 lbs.

Label

cUL, Dry location. IBEW.



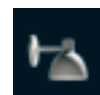
Product code	Dimension	Light source	Voltage	Finish
TOP	6.1" 8.7"	1/40W/G16.5/IF candelabra 1/60W/A-19/IF medium	120V	GLASS

Specification notes:

- 6.1" variants only available in 1/40W/G16.5 light source.
- 8.7" variants only available in 1/60W/A-19 light source.

Info notes:

- The comparable EU version has the following classification: Ingress Protection Code: IP20.



152

210

208