

Weblink
2467

Design
Louise Campbell

Concept
Snow represents a new way of looking at the function of a floor lamp. When the light goes on, Snow generates more mood-creating room lighting than a conventional floor lamp. The design emits light in every direction, and - when lit - Snow floats as a light, airy element in a room. Despite its elongated shape, Snow is a slim fixture. This is possible because a 4 lbs counterweight hangs freely like a heavy snowball over the floor inside the fixture body.

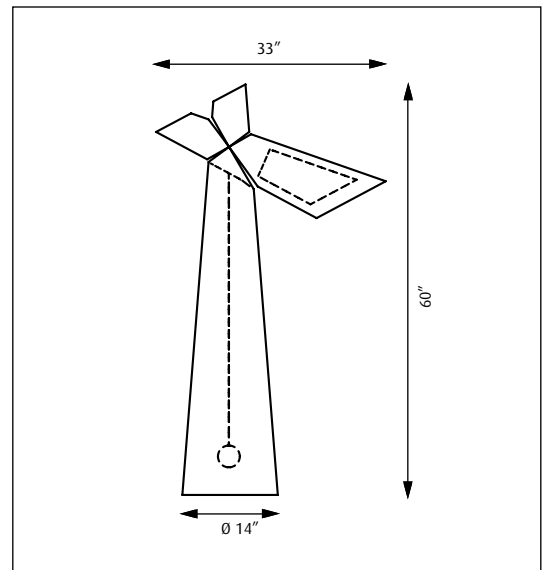
Finish
Clear acrylic w/print.

Material
Body: Vacuum formed acrylic.

Mounting
Cable type: Vinyl cord with plug. Cable length: 12'.

Weight
Max. 17 lbs.

Class
cULus, Dry location. IBEW.



Product code	Light source	Voltage	Finish
SNOW-F	1x40W R14 E17 + 1X60W G30 E26	120V	CLEAR PRINT ACRYL

Info notes:
I. The comparable EU version has the following classification: Ingress Protection Code: IP20.



Studio photo
Photo
Kaslov Studio