



Weblink
126

gkkworks. Pasadena, California, USA. Architect: gkkworks. Photo: Frank Domin

Design
Erik Møllers Tegnestue A/S

Concept
ET Lumiere creates sparkling illumination. The positioning and height of the anti-glare ring is designed to cover the filament in an incandescent light source, preventing glare. The majority of the light is directed downward.

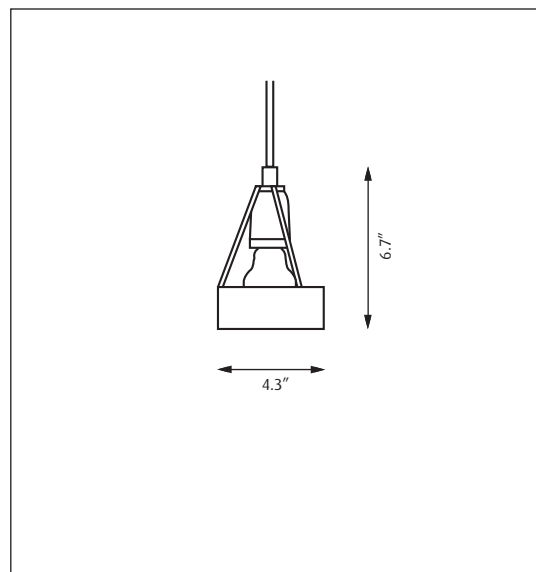
Finish
White, powder coated.

Material
Anti-glare ring: Extruded steel.

Mounting
Canopy: White. Cord type: 3-conductor, 18 AWG white PVC power cord. Cord length: 12'.

Weight
Max. 3 lbs.

Label
cUL, Dry location. IBEW.



Product code	Light source	Voltage	Finish
ETL	1/75W/A-19/CL medium	120V	WHT

Info notes:
I. The comparable EU version has the following classification: Ingress Protection Code: IP20.

