



Weblink
125

Project page
256, 280, 344

Chapman University Library. Orange, California, USA. Architect: AC Martin Partners.
Lighting Designer: Francis Krahe & Associates Inc. Photo: Frank Domin

Design
Poul Henningsen

Concept
PH Snowball (1924) is a 360-degree glare free luminaire. The geometry of the PH Snowball is designed to ensure all the illuminated surfaces of the shades are struck by the rays of light in the same angle, creating an even illumination.

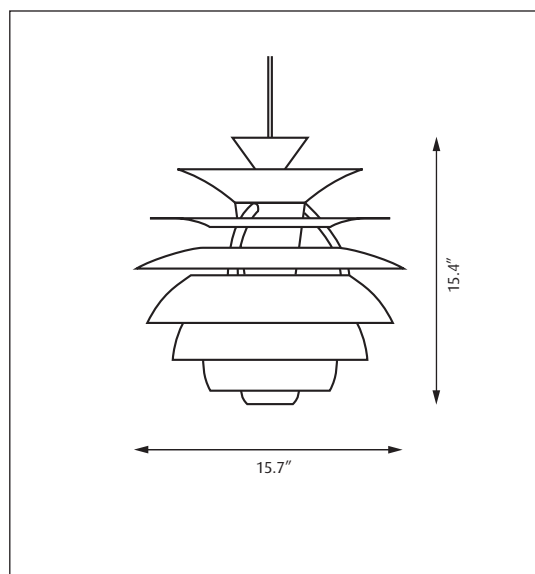
Finish
White, wet painted.

Material
Shades: Spun aluminum. Frame: High lustre chrome plated, die cast aluminum. Housing: High lustre chrome plated, spun aluminum.

Mounting
Canopy: White. Cord type: 3-conductor, 18 AWG white PVC power cord. Cord length: 12'.

Weight
Max. 6 lbs.

Label
cUL, Dry location. IBEW.



Product code	Light source	Voltage	Finish
PHS	1/200W/A-23/IF medium	120V	WHT

Info notes:
I. The comparable EU version has the following classification: Ingress Protection Code: IP20.

