



Model Specifications

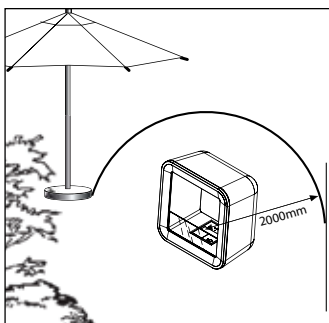
Our Designer Range showcases our freestanding models, which are delivered fully assembled, ready to be placed where you wish, and are operational immediately. There are no installation or building works required. Ideal for apartment owners where space is limited, and very popular with tenants who would like ambient heating that moves when they do. Model includes Burner Kit.

Applicable EcoSmart™ Burner	Standard models feature Burner One. - please refer to specific Model Specification.
Fuel	Use Denatured Ethanol only. Refer to www.ecosmartfire.com for commercially available fuel names around the world.
Design Features	Retro is a square shaped fireplace with rounded corners. It is a freestanding piece of furniture designed to accept the EcoSmart™ flue less burner. The Retro EcoSmart™ Fire is made from weather resistant materials including fiberglass, stainless steel and toughened glass. Inspired by the 60s the rounded corners and tube design of the Retro makes it a timeless piece that will fit nicely within a variety of decors. Using a moulding process has also opened up the opportunity to work with a number of new finishes for this model including Kevlar, Carbon Fibre and intricately detailed patterns. Intended for indoor and/or outdoor use.
Construction Detail	SURROUND: Made of Fibreglass FIREBOX INSERT: The Firebox is specifically designed to accept the EcoSmart™ Burner in the Retro setting. Made of brushed Stainless Steel. WIND SCREEN: A Wind Screen is included with the model, this is pre-fixed to the front of the Firebox at a slightly raised position in order to minimise flame volatility in windy conditions. The Wind Screen is made of 6mm toughened glass. BURNER: Placement and clearance allocated for one (1) EcoSmart™ Burner only. FEET: Four (4) feet are screwed under the fireplace to assist with levelling of the unit and for ease of moving. These can be removed for flush settings if required.
Ventilation	EcoSmart™ Fires do not require any form of permanent fixture or fitting, such as a flue for ventilation, a permanent gas connection or any kind of fixed utility for fuel supply. In a house of typical construction, that is, one that is not of unusually tight construction due to heavy insulation and tight seals against air infiltration, an adequate supply of air for combustion and ventilation is provided through infiltration. However, if the heater is used in a small room where less than 5.7m ³ [200ft ³] of air space is provided for each 1000 BTU per hour of heater rating (considering the maximum burner adjustment), the door(s) to adjacent room(s) should be kept open or a window to the outside should be opened at least 25.4mm [1in] to guard against potential build up of indoor air pollution. Do not install or operate in a bathroom or any other small room. The room cannot be less than 70m ³ [2472ft ³] per burner.
Recommended Accessories	Fire Extinguisher. Protective Cover.
Compulsory Cross Reference	Please ensure you read the applicable Model Specifications for the EcoSmart™ Burner that is used in this model before ordering, specifying, installing or operating the EcoSmart™ Burner.

IMPORTANT!

To light a fire outdoors in windy conditions is not safe and should be avoided. Windy conditions not only causes increased flame volatility, it also uses a lot more fuel than in still conditions.

Clearances



When used indoors there must be a minimum of 1500mm [59in] between the mouth of the flame and the nearest combustible at all times. Use common sense to ensure that your fire is positioned away from curtains, flammable materials and other sources of ignition. Be aware of drafts.

When used outdoors it is important that the model be:

- positioned in a large open space ensuring that the nearest combustible (trees, branches, umbrellas, ceilings etc) are a minimum of 2000mm [78.74in] away in all weather conditions (for example, on windy days where there is movement in branches, the clearance must still be met).

- Be fixed into a secure and permanent, level position prior to be operated following the instructions provided. The based of the model is fitted with adjustable ankle feet to allow for levelling of the model.

Note: When not in use it is recommended that you protect the model from water damage or corrosion. A cover is available as an accessory from your nearest retailer or distributor. Stainless steel will become tarnished or corrode over time if not protected from moisture and debris.

Model Specifications

Installation Requirements

The Retro is suitable for use both indoors and outdoors.

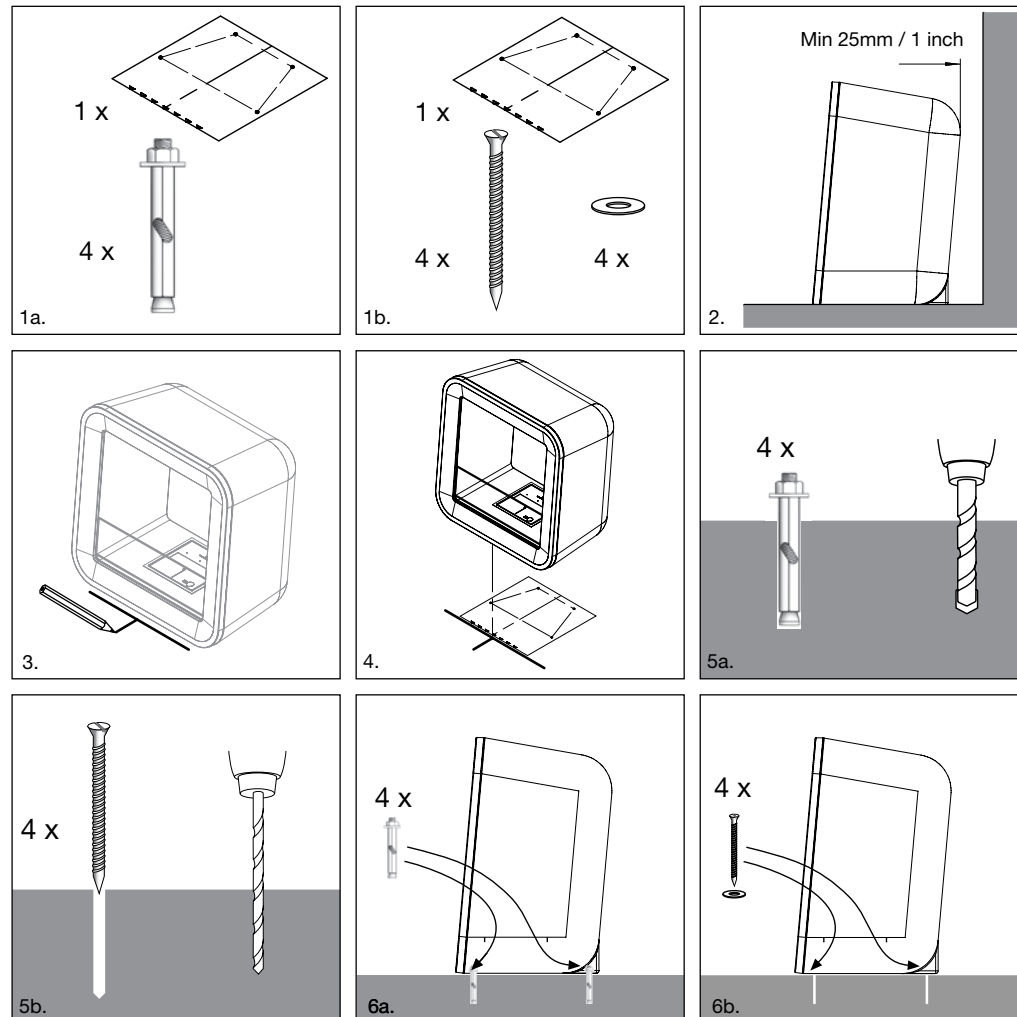
In all cases the EcoSmart™ Fire should:

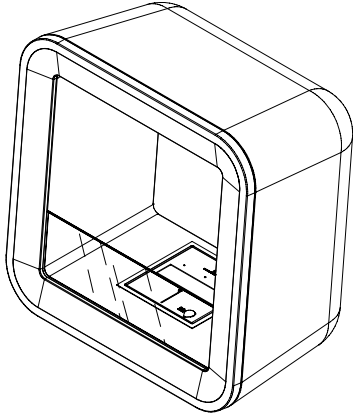
- Be positioned in a large and open space
- Be positioned on a level floor – the floor can be made of any material or fabric
- Be positioned so that they adhere to the specific clearances of the model purchased
- Be fixed into a secure and permanent position prior to being operated using the fixings provided

Concrete/Stone - Wood/Timber

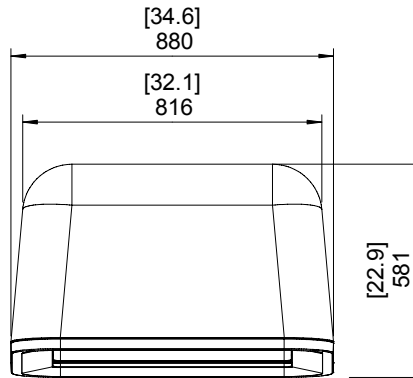
Equipment required: pencil, short philips head screw driver, hammer, masonry drill and masonry bit for concrete/stone settings, drill and pilot drill bit for timber/wood settings.

1. Confirm you have received a paper drilling template & all necessary fixings as illustrated (1a for Concrete/Stone, 1b for Wood/Timber);
2. Position the fireplace in accordance to the compulsory minimum clearances outlined in the Instruction Manual;
3. Mark a line that locates the front edge and centre of the fireplace;
4. Move the fireplace and position the paper drilling template as shown on the template;
- 5a. For concrete/stone settlings drill four (4) holes and fit masonry anchors provided.
- 5b. For timber/wood settings pilot drill four (4) holes using screws provided;
6. Re-position fireplace and gaining access through burner opening, fix screws and washers through firebox floor (6a for Concrete/Stone, 6b for Wood/Timber).

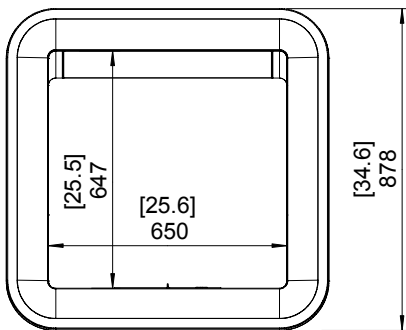




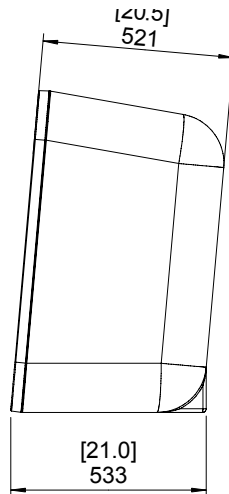
ISOMETRIC VIEW



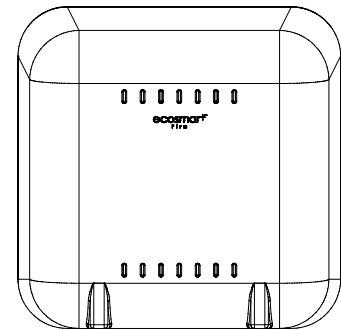
TOP VIEW



FRONT VIEW



SIDE VIEW



REAR VIEW

Measurements

[inches] = imperial
mm = metric

Weight, including packaging

52kg, 114.64lbs

Materials

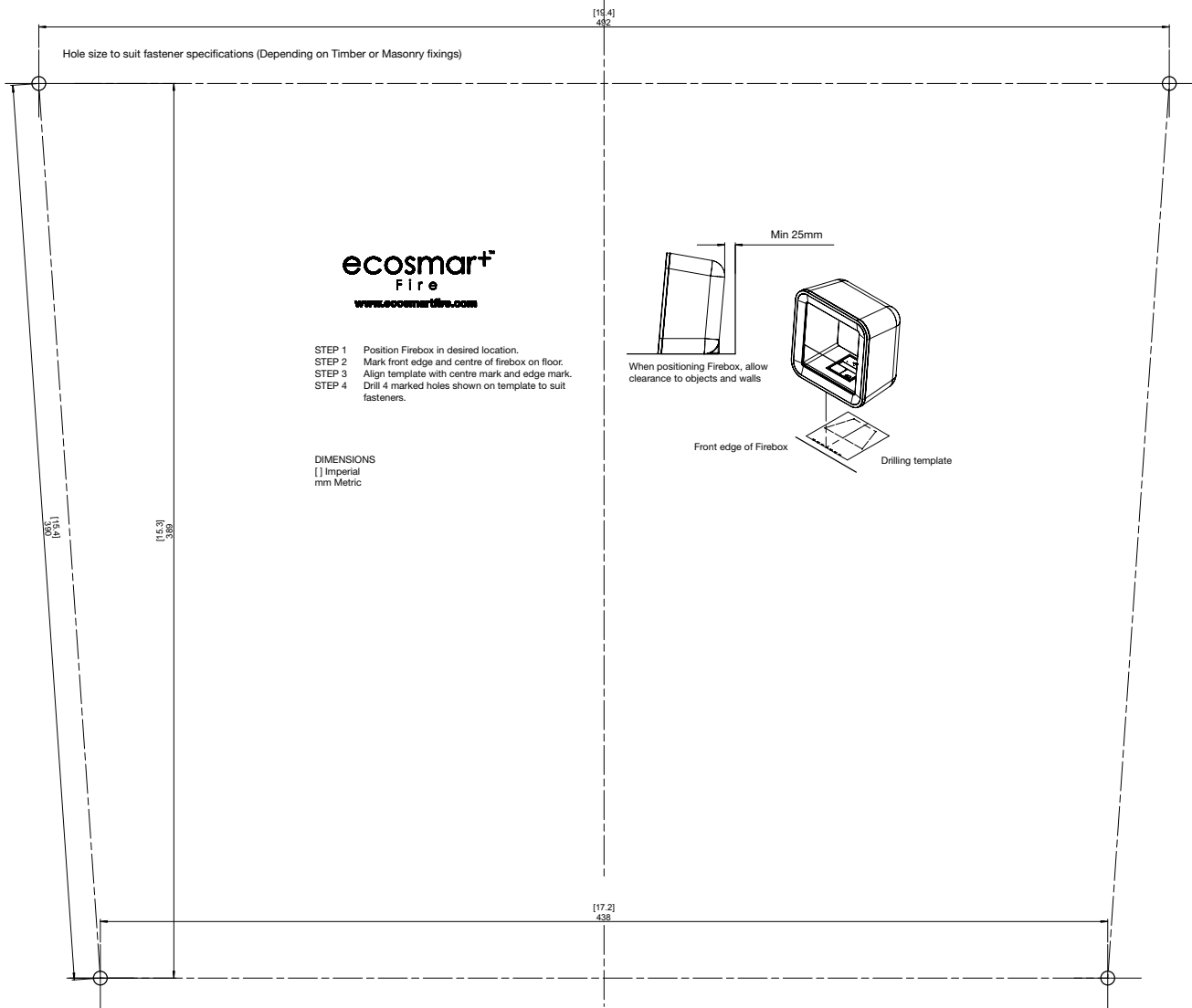
Brushed Stainless Steel,
Fibreglass, Toughened Glass

Scale 1:20





ALIGN THIS EDGE WITH FRONT EDGE & CENTRE OF RETRO FIREBOX



Floor Template Layout

Scale 1:3

Conditions of Use

1. For the purposes of this model specification we refer to the fuel used in the EcoSmart™ Fire as **Denatured Ethanol***.

***There are many different names for this fuel around the world. Please refer to www.ecosmartfire.com for a list of commercially available fuel names in your country.**

Denatured Ethanol* is classified as a Dangerous Goods Flammable Liquid Class 3, PGII and is regulated by specific standards and rules. You must familiarise yourself with the appropriate regulations of

your country in order to safely and legally store, handle, decant and use this fuel.

The customer warrants to The Fire Company Pty Ltd that after delivery of their EcoSmart™ Fire and whilst The Fire Company Pty Ltd retains any interest in the goods or consigned goods (as the case may be) the customer shall comply with all applicable Acts, Regulations and Laws dealing with the transport, unloading and storage of Dangerous Goods.

2. Children do not recognize the dangers that can arise when handling Dangerous Goods,

nor do they recognize the volatility of flammable liquids when ignited. Please ensure you keep children at a safe distance and supervised at all times when operating the fire.

3. Approval from building authorities may be required. Please ensure you contact the appropriate parties before installing your EcoSmart™ Fire.

4. It is a condition of purchase that you obtain a fire extinguisher Ammonium Phosphate AB:E type. These can be purchased from your distributor or independently.

Warnings

1. Risk of explosion:

- a) Never use any fuel other than the fuels specifically identified for use in the appliance. Never use gasoline.
- b) Never fill the fuel reservoir when it is operating or still hot.
- c) Never fill fuel reservoir in areas where flammable vapours or gas may be present.
- d) Never store or transport the fuel in other than a metal or plastic container that is:
 1. Acceptable for use with the specific fuel.
 2. Is in the original container for the alcohol fuel.

2. Never store fuel in the living space where the fire is situated.

3. Due to high surface temperatures, keep children, pets, clothing, and furniture away. The unit is hot while in operation, contact with the EcoSmart™ Fire may cause skin burns.

4. Risk of indoor air pollution – use EcoSmart™ Fires only in well-ventilated areas. People with breathing problems should consult a physician before using the appliance.

5. Do not use the EcoSmart™ Fire to heat or boil water or as a cooking appliance. Do

not throw waste materials or paper into the EcoSmart™ Fire.

6. EcoSmart™ Fires have not been tested with an unvented gas log set. To reduce the risk of fire or injury, do not install an unvented gas log set into this appliance.

7. The EcoSmart™ Fire has not been tested for use with doors. To reduce the risk of fire or injury, do not install doors.

8. It is recommended that the EcoSmart™ Fire be fixed into position to avoid displacement as per instruction provided with each model.

9. Do not dismantle the EcoSmart™ Burner.

10. Do not attach any other tank to the EcoSmart™ Burner.

11. EcoSmart™ Fires must only be operated using authorised accessories & equipment.

12. Do not obstruct the open/close sliding mechanism of the EcoSmart™ Burner in any way as this could result in the jamming/non functionality of the shut off mechanism.

13. The EcoSmart™ Burner should not be started if a fault is suspected or when there appears to be any damage to the burner or its housing.

14. The use of any fitting other than those available from or recommended by The Fire Company Pty Ltd for the EcoSmart™ Firebox and Burner is not permitted.

15. The Fire Company Pty Ltd does not accept responsibility for any damage which occurs if the EcoSmart™ Fire is used for purposes other than those for which it is intended, or if it is incorrectly operated or repaired by unqualified persons.

16. The EcoSmart™ Fire is not intended to operate continuously. To avoid heat expansion and potential splitting of the timber framework in Designer Range models please ensure that the model is allowed to cool down completely on a regular basis.

If you have any questions regarding any of the above important safety information please contact your distributor or The Fire Company Pty Ltd.

Testing & Compliance

The EcoSmart™ Fire Collection has achieved the following certification and approvals:



The EcoSmart™ Fire is manufactured by The Fire Company Pty Ltd whose quality management system is certified as being in conformity with ISO 9001:2000.



The EcoSmart™ Fire is the first product of its kind to have its collection so comprehensively UL/ULC listed. For the most up to date list of UL/ULC Listed models and compliance requirements please contact your local distributor.

Instructions and specifications for the EcoSmart™ Fire were tested as far as practicable to a selection of clauses from AS4553/AG103 – Australian Standard for Gas Space Heaters (closest comparable product at the time of invention)

Investigation into applicable standards and testing platforms for compliance to GS, CE & TUV were held and The Fire Company has gained a Compliance Verification Declaration from Globalnorm GmbH.



The EcoSmart™ Fire Collection has achieved Swedish Institute for Technical Approval in Construction (SITAC) approval.