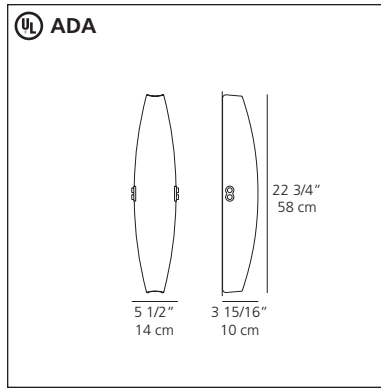


**Robbia full wall**  
**Robbia half wall**

Ennio Pasini

Wall mounted luminaires for diffused incandescent or fluorescent lighting (plexiglass fluorescent only).

- diffuser in white opaline handblown glass or in white thermoformed impact resistant plexiglass
- side mounting detail fasteners in black painted and chromed steel (optional total chrome or total brass fasteners)
- mounting to standard electrical junction boxes with horizontal center line 2 1/8" (5.4 cm) below top of luminaire (half) and centered on luminaire (full)

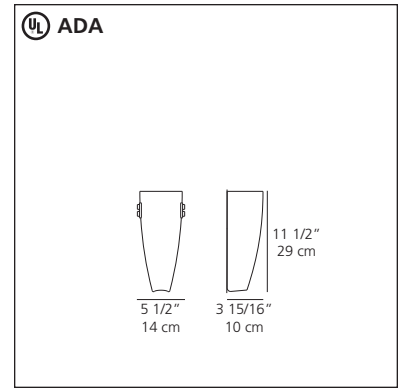


**Robbia full wall glass**

- incandescent source**  
• 2 x 100W (E26/A19).....
- or
- fluorescent source**  
• 2 x 13W (G24q-1/T4).....   
or  
• 2 x 18W (G24q-2/T4).....

**Robbia full wall plexiglass**

- fluorescent source**  
• 2 x 13W (G24q-1/T4).....



**Robbia half wall glass**

- incandescent source**  
• 1 x 100W (E26/A19).....
- or
- fluorescent source**  
• 1 x 13W (G24q-1/T4).....   
or  
• 1 x 18W (G24q-2/T4).....

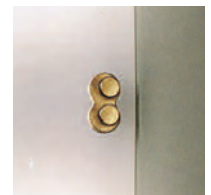
**Robbia half wall plexiglass**

- fluorescent source**  
• 1 x 13W (G24q-1/T4).....

eco♥design



chrome fasteners



brass fasteners

