

Pipe suspension

Herzog & de Meuron

Ceiling mounted luminaire for adjustable direct and indirect fluorescent lighting.

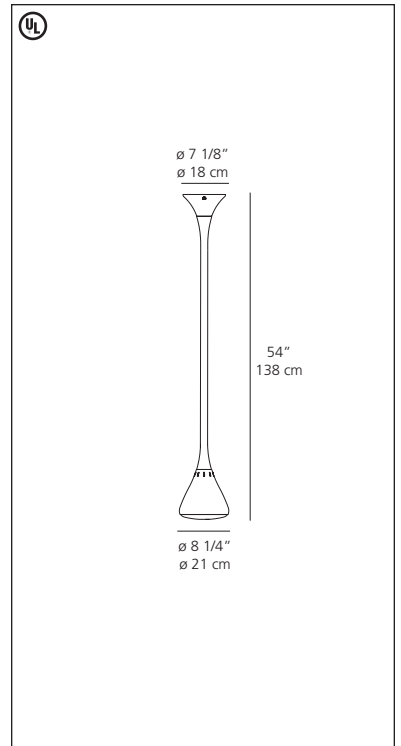
- body structure in flexible steel tube with grey lacquered finish enclosed in a translucent white silicon sleeve
- diffuser in molded translucent white polycarbonate with an incorporated anti-glare reflector in specular aluminum with micro-perforations for side emission of thin beams of light
- concealed ceiling plate in white lacquered steel
- mounting to ceiling surface, over standard electrical junction boxes

Awards

Compasso d'Oro / A.D.I. - Selezione
2004 - Milan (Italy)

Included in the design Collection of the
Museum of Modern Art - New York (USA)

eco♥design



Pipe suspension

fluorescent source

- 1 x 32W (GX24q-3/T4).....