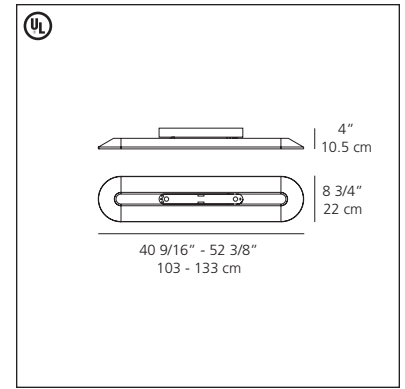


Artemide® Float L ceiling

James Irvine

Ceiling mounted luminaire for direct and indirect diffused fluorescent lighting.

- body in extruded and die-cast aluminum with white lacquered finish
- upper, indirect light emission diffuser in clear polycarbonate with optional blue or topaz colored filters
- lower, direct light emission diffuser in opaline polycarbonate
- ceiling canopy in white molded thermoplastic and steel, incorporating fluorescent ballast
- equipped with thermally protected, class P, high power factor 120V electronic fluorescent ballasts (277V optional)
- mounts directly to rigid ceiling surface (hardware by others) over standard electrical junction boxes



Float L ceiling

fluorescent source

- 1 x 39W (G5/T5 HO).....
- or
- 2 x 39W (G5/T5 HO).....
- or
- 2 x 54W (G5/T5).....

eco♥design



blue color filter



topaz color filter