

Artemide® Callimaco floor

Ettore Sottsass

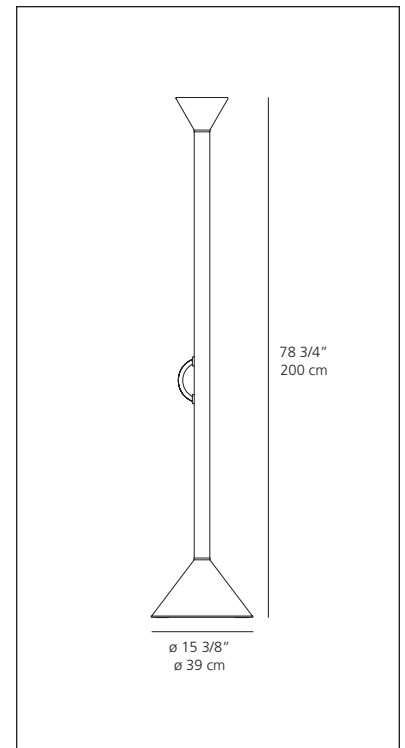
This iconic floor lamp from Ettore Sottsass, originally designed in 1982, is being reintroduced on the US market in 2010. Floor standing luminaire for indirect halogen lighting.

- body in aluminum with painted polished yellow finish
- diffuser in steel with painted polished red finish
- handle in polished chrome
- dimmer switch incorporated in body
- base in steel with painted polished grey finish

Awards

Twentieth Century Design Collection
of the Metropolitan Museum of Art
New York (US)

The Israel Museum
Jerusalem (Israel)



Callimaco floor

halogen source

- 1 x 200W (R7S/T3) supplied.....